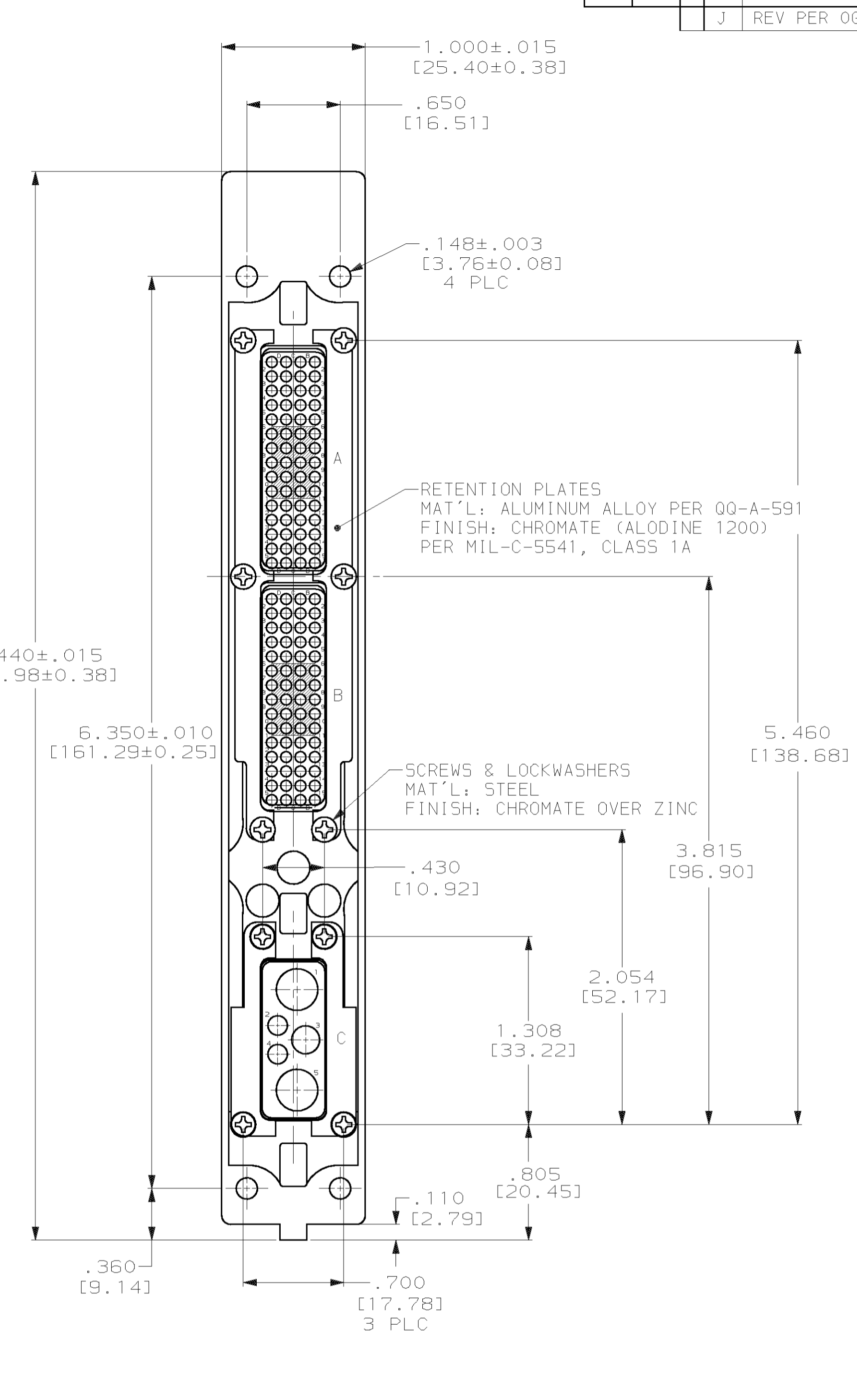
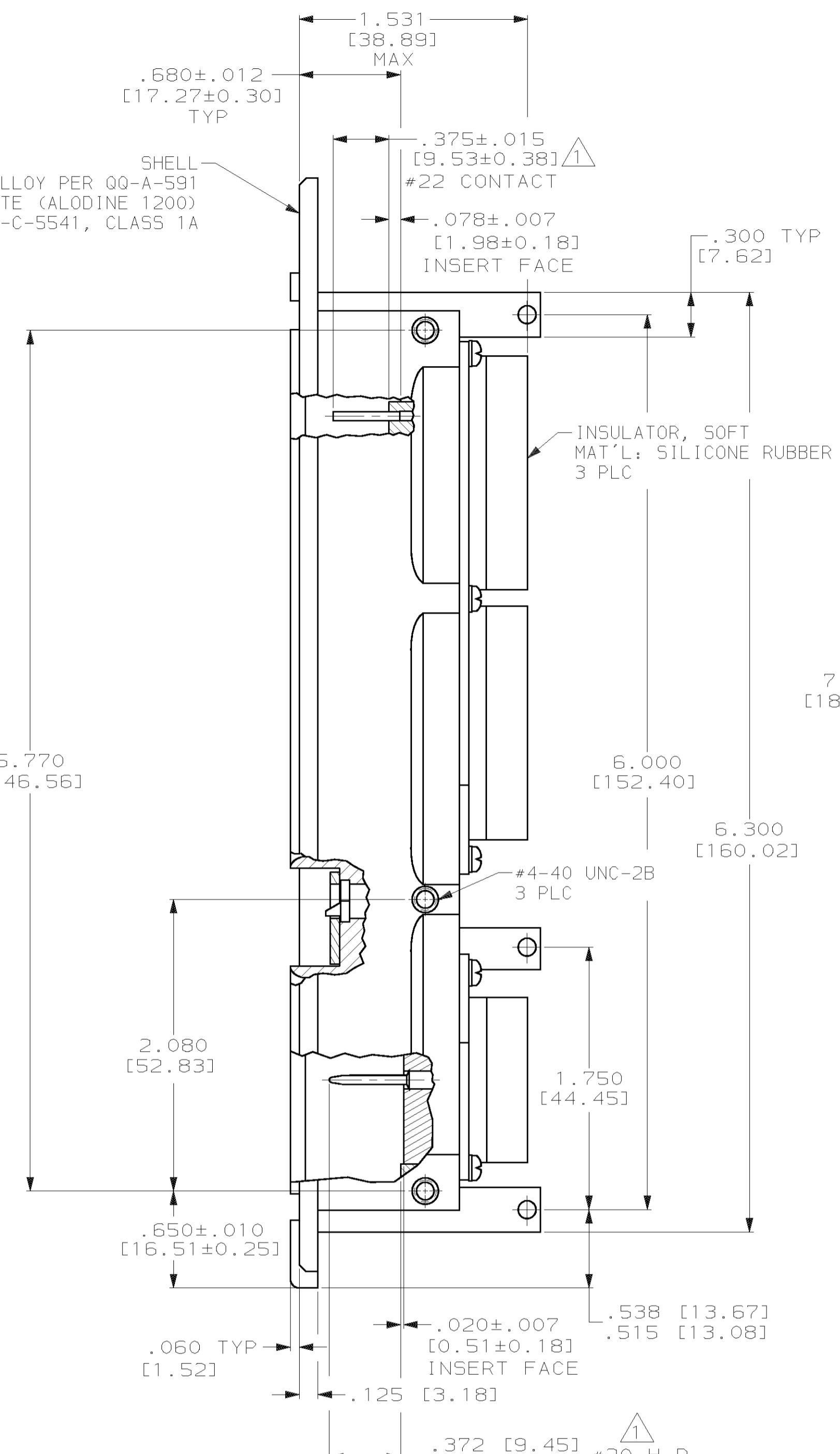
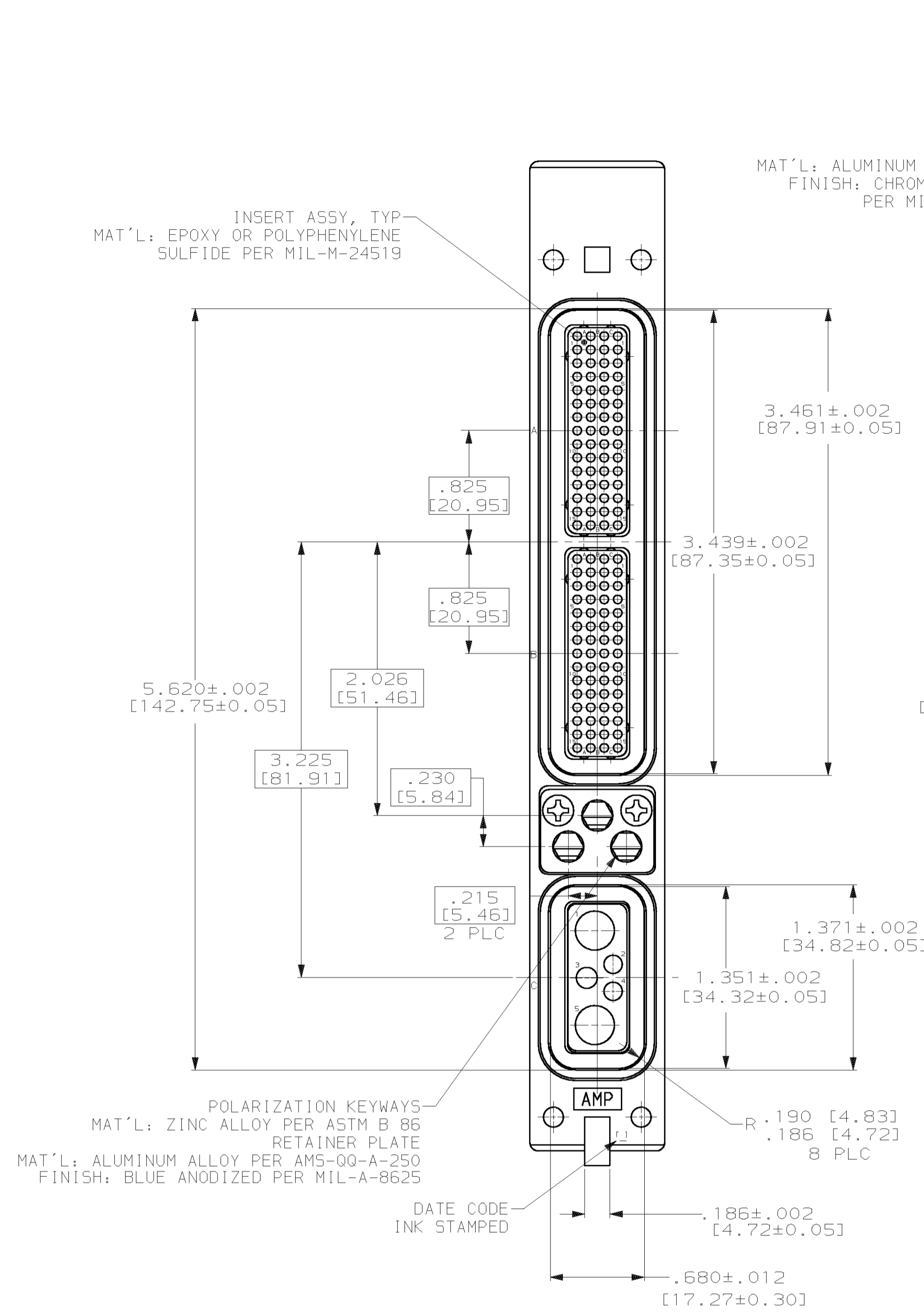


LOC	DIST	REV	DATE	APPV
DF	AO	J	3-03	JMK

REV	DESCRIPTION	DATE	APPV
1	REV PER OG3D-0041-02	3-03	JMK



- CONTACTS ARE SHOWN IN POSITION FOR ILLUSTRATION ONLY. FOR SHIPMENT CONTACTS ARE INCLUDED IN A CONTAINER WITHIN THE CONNECTOR PACKAGE. COAX CONTACTS ARE NOT SUPPLIED AND MUST BE ORDERED SEPARATELY.
- ALL CONTACTS CAVITIES IN MODULES A & B ARE LOCATED WITHIN .006 [0.15] DIA TRUE POSITION. ALL CONTACT CAVITIES IN MODULE C ARE LOCATED WITHIN .020 [0.51] DIA TRUE POSITION.
- POLARIZING KEYS SHOWN IN POSITION O1 FOR ILLUSTRATION ONLY. CONNECTORS SHIPPED WITH KEYING PER ORDERING INSTRUCTIONS. CONTACT INSERTS AS SHOWN FOR ILLUSTRATION ONLY. SEE TABLE FOR DISRIPTIVE NUMBER.

DESCRIPTIVE NUMBER	PART NUMBER
NIC66E11B54AA0	208600-3
NIC66E11B01AA1	208600-2
NIC66E11B01AA0	208600-1

<small>THIS DRAWING IS A CONTROLLED DOCUMENT AND ANY DIMENSIONS IT IS SUBJECT TO CHANGE AND THE CONTROLLING ENGINEERING REGULATION SHALL BE CONTACTED FOR THE LATEST REVISION.</small>		C.C. THOMAS 11-20-95 R. GROSS 4-11-96 R. GROSS 4-11-96	AMP AMP Incorporated Harrisburg, PA 17105-3608
DIMENSIONS: INCHES (mm)	TOLERANCES UNLESS OTHERWISE SPECIFIED: 0 PLC ±.005 1 PLC ±.005 2 PLC ±.005 3 PLC ±.005 (0.133) 4 PLC ±.005 ANGLES 40°±30'	APPLICATION SPEC HEIGHT CUSTOMER DRAWING	CONNECTOR ASSY, SIZE 1 CLASS "B", RCPT, ARINC-600 SIZE: A1 CAGE CODE: 00779 DRAWING NO: C-208600 SCALE: 1.5:1 SHEET: 11 REV: J